

# PELICANPOOL

PORTABLE  
POOL  
LIFT

PELICANPOOL is the new medical device that guarantees people with reduced mobility accessibility to the pool. This new model, thanks to its advanced technical features, allows the removal of architectural barriers even in swimming pools with external walls up to 50 cm height. Moreover, thanks to the practical seat rotation system, the user can carry out the operations of getting in and out of the water in complete autonomy. Like the other models of DiGi Project range, the PELICANPOOL portable pool lift has the same features in terms of safety and practicality.



CERTIFICATIONS AND PATENT

Patent pending  
Regulation EU 2017/745 Medical Devices – class 1 - DM 2563147/R  
Directive 2006/42/EC - Machinery Directive  
Directive 2004/108/EC - EMC Electromagnetic Compatibility



POOL TYPE  
INSTALLATION  
SOLUTION

DECK-LEVEL TYPE



SKIMMER TYPE



ABOVE-GROUND TYPE

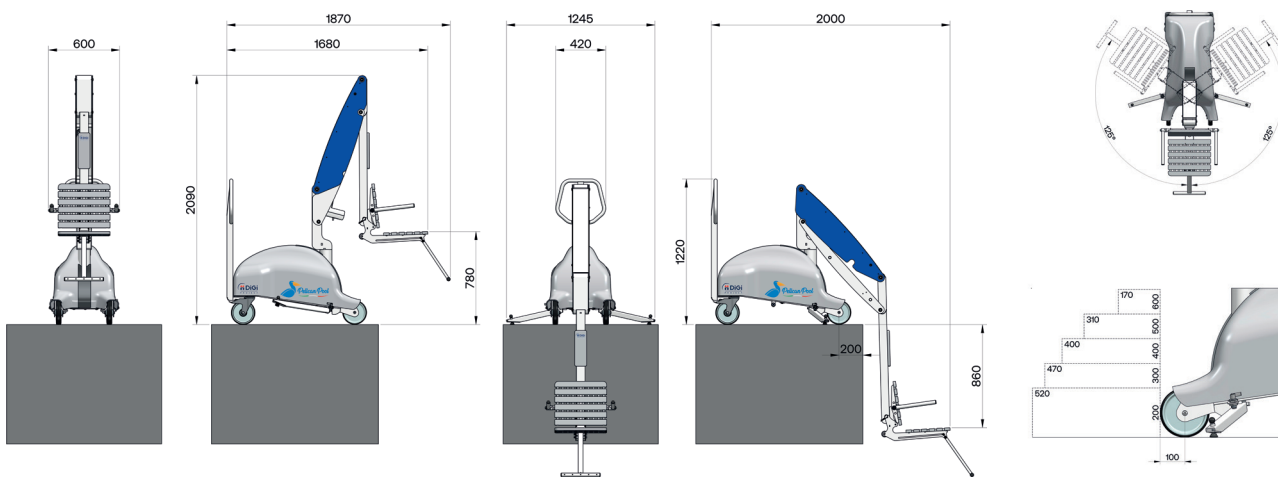


TECHNICAL  
DETAILS

Maximum capacity: 140 kg  
Maximum travel: 1640 mm  
Depth of seat inside the water: 860 mm  
Time of lowering - lifting with weight into water: 25 sec  
Weight of the lift: 340 kg  
Battery: 24 V

OPTIONAL

4-point safety belt  
5-point safety belt  
Protective cover



## TECHNICAL FEATURES

- IPX06 spiral cable push-button panel for up-down controls from the water and rotation controls
- Pivoting braking rear wheels
- Headrest included
- Retractable footrest
- Adjustable armrests
- Removable battery with charger
- Emergency stop button
- Average autonomy: 30 working cycles
- Side stabilizers with safety sensors

- End-stroke sensors for seat rotation
- Folding compact seat
- 2-point safety belt
- Stainless steel frame for in-water parts
- Galvanization and powder coating
- 250° motorized rotation
- Battery charge level indicator