



**INSTRUCTION MANUAL**

**FIXED POOL LIFT FOR DISABLED PEOPLE**

*DEVICE*

**i-swim 4**

*MODEL*



**ORIGINAL INSTRUCTIONS**



**00**

*REVISION*

**2023**

*YEAR*

<b>1.</b>	<b>GENERAL WARNINGS .....</b>	<b>3</b>
1.1	MANUFACTURER IDENTIFICATION .....	3
1.2	MARKING.....	3
1.3	DECLARATION OF CONFORMITY .....	4
1.4	IDENTIFICATION OF PERSONNEL .....	5
1.5	STRUCTURE AND USE OF THE MANUAL.....	6
1.6	SAFETY - GENERAL RULES .....	7
2.1	DESCRIPTION OF PARTS.....	8
2.2	OVERALL DIMENSIONS .....	9
2.3	TECHNICAL DATA .....	10
2.4	INTENDED USE.....	11
2.5	UNINTENDED USE .....	11
2.6	ENVIRONMENTAL CONDITIONS.....	11
3.1	SAFETY DEVICES.....	12
3.2	SIGNALS.....	13
3.2	PPE .....	14
5.1	RESIDUAL RISKS.....	15
6.1	RECEIPT AND CONTROL.....	<b>Errore. Il segnalibro non è definito.</b>
6.2	STORAGE AND STOWAGE OF THE LIFT .....	16
6.3	TRANSPORT .....	16
6.4	HANDLING.....	17
6.5	POSITIONING.....	18
6.6	SEAT INSTALLATION .....	20
6.7	SEAT HEIGHT ADJUSTMENT .....	20
6.8	PANEL INSTALLATION .....	21
6.9	CONVERSION TO LEFT-HAND VERSION.....	23
7.1	CONTROL PANEL AND REMOTE CONTROL .....	27
7.2	OPERATIONS BEFORE USE.....	29
7.3	DESCRIPTION OF USE .....	30
8.1	CLEANING .....	32
9.1	MAINTENANCE .....	33
9.2	BATTERY CHARGING .....	33
9.3	PERIODIC INSPECTION .....	35
10.1	DEMOLITION AND DISPOSAL .....	36
11.1	SPARE PARTS .....	37
12.1	SPARE PARTS .....	38

## 1.1 MANUFACTURER IDENTIFICATION



### AUTOLIFT SRL

Via Trentin 8 – 46020 Pegognaga (MN) - Italy

Tel. +39 0376 550375– info@autoliftsrl.com

## 1.2 MARKING

The machine is manufactured in accordance with the relevant and applicable EU directives applicable on the date of placing into service, specifically Directive 2006/42/EC and related therefore the CE marking is affixed to the identification plate which includes compliance with Regulation (EU) 2017/745 as a "medical device" as defined in Article 2, point 1), defined in Class I (non-invasive) according to Annex VIII, Chapter III, point 4.1.

 <p>AUTOLIFT</p>	MADE IN ITALY	
Model :		
S. Number :		
Max capacity :		
Power :		
AUTOLIFT SRL Via Trentin 8 - 46020 Pegognaga (MN)		
Tel. +39 0376 550375 Fax +39 0376 553728		
www.autoliftsrl.com info@autoliftsrl.com		



IT IS PROHIBITED TO REMOVE OR ALTER THE IDENTIFICATION PLATE



# WARNINGS

1

**POOL LIFT**

DEVICE

**i-swim4**

MODEL

## 1.3 DECLARATION OF CONFORMITY

A copy of this declaration of conformity, signed and filled in with the specific data, is attached to the lift.

**DECLARATION OF CONFORMITY CE 2006/42/CE**

**DECLARATION OF CONFORMITY UE 2017/745 UE**

The undersigned manufacturer:

**AUTOLIFT SRL**

Via Trentin, 8 – 46020 Pegognaga (MN) - Italy

Tel. +39 0376 550375 – info@autoliftsrl.com

Declares under his own responsibility that the machine (medical device):

NAME ..... **FIXED POOL LIFT FOR DISABLED PEOPLE**

MODEL ..... **i-swim4**

SERIES .....

CLASSIFICATION ..... **Classe I**

YEAR OF CONSTRUCTION. .... **2023**

It complies with the provisions of the following EU directives:

- 2006/42/CE** Machinery Directive.
- 2017/745** Medical Device Regulation.
- 2014/30/UE** Electromagnetic Compatibility Directive.

The following harmonised standards have been applied:

- UNI EN ISO 10535:2021** Lifts for transferring disabled persons - Requirements and test methods.
- UNI CEI EN ISO 14971:2020** Medical devices - Application of risk management to medical devices.

(Legal) person in charge of establishing and safekeeping the Technical Construction File with reference to Annex VII Directive 2006/42/EC.

**TECHNICAL OFFICE - AUTOLIFT SRL**

Via Trentin, 8 – 46020 Pegognaga (MN) - Italy

Pegognaga (MN), li \_\_\_\_\_

The Legal Representative

\_\_\_\_\_  
Gabriele Ovi

## 1.4 PERSONNEL IDENTIFICATION

The user is the disabled person authorised to use the lift and in possession of the relevant psychophysical requirements to manoeuvre it safely.

The authorised positioning operator may have several tasks:

- Assisting the user who is not fit for use.
- Start and supervise the correct operation of the lift if the user is not fit for use.
- Perform simple adjustment operations.
- Charging the batteries.
- Cleaning the machine.
- Intervene in an emergency.

The lift maintenance operator is a qualified technician who is able to operate the lift and work on mechanical and electrical parts to carry out adjustments, maintenance and repairs.



The natural or legal person commissioning the lift is responsible for disseminating this document to all personnel interacting with the lift.



In addition to the duty to carefully follow the instructions contained in this manual, operators are obliged not to use the lift and to report to their direct supervisors or, in their absence, directly to the manufacturer AUTOLIFT srl, any deficiencies or potential dangerous situations that may occur.

## 1.5 STRUCTURE AND USE OF THE MANUAL



**THE USER AND/OR THE OPERATOR MUST HAVE READ THIS MANUAL BEFORE PROCEEDING WITH THE USE OF THE LIFT.**

The purpose of this manual is to provide the user and thus the operators with all the necessary information so that, in addition to the proper use of the lift, they are able to operate it as independently and safely as possible.

Before carrying out any work on the lift, users and operators must carefully read the instructions in this publication.

If in doubt about the correct interpretation of the instructions, please get in touch with the technical department of AUTOLIFT srl for clarification.

This manual is an integral part of the lift and must be kept with the utmost care by the purchaser so that operators can easily access it at all times.

The content of this manual complies with Directive 2006/42/EC and EU Regulation 2017/745.

This manual consists of 40 pages, including cover, and is accompanied by annexes (see section 1.6).

Data and drawings are provided as examples; the manufacturer, in pursuit of a policy of constant product development and updating, may make changes without prior notice.

It is forbidden for anyone to divulge, modify or use this manual for their own purposes.

In drafting the manual, the choice was made to use a few obvious attention pictograms to make consultation easier and more immediate.



**INDICATIONS MARKED WITH THIS SYMBOL REPRESENT A POTENTIALLY DANGEROUS SITUATION WITH THE POSSIBILITY OF PHYSICAL INJURY TO USERS.**



**INDICATIONS MARKED WITH THIS SYMBOL ARE PROHIBITED.**



**INDICATIONS MARKED WITH THIS SYMBOL ARE CONSIDERED IMPORTANT.**

## 1.6 SAFETY - GENERAL RULES



**OPERATORS MUST READ THIS INSTRUCTION BEFORE USING THE LIFT.**



The operating personnel must be in perfect psycho-physical condition.



Never bring your hands close to moving parts.



Pay attention to the signs attached to the lift.



Do not delete, remove or modify existing security systems.

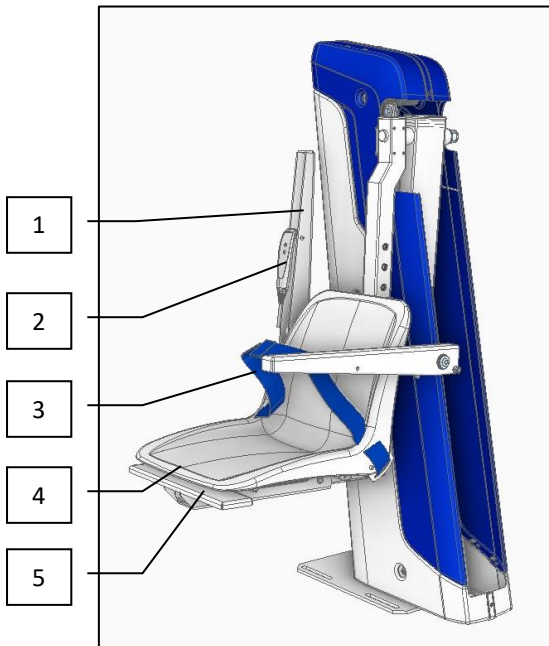


Do not work on the machine while parts are moving.

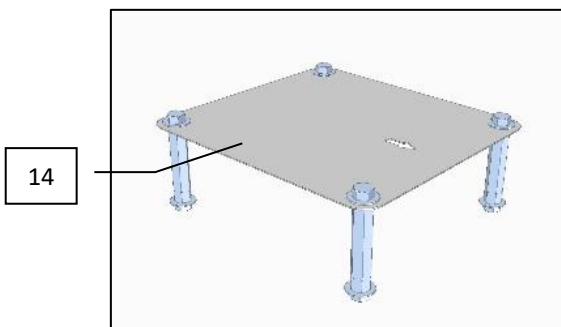
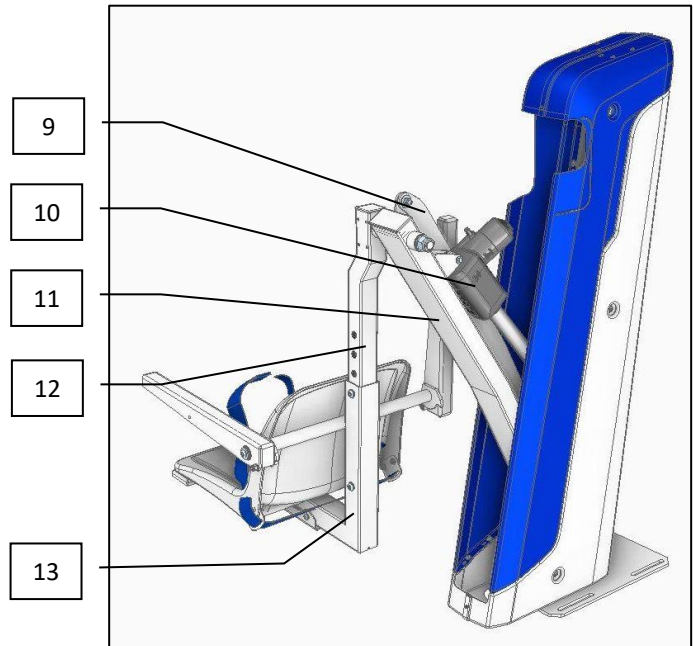
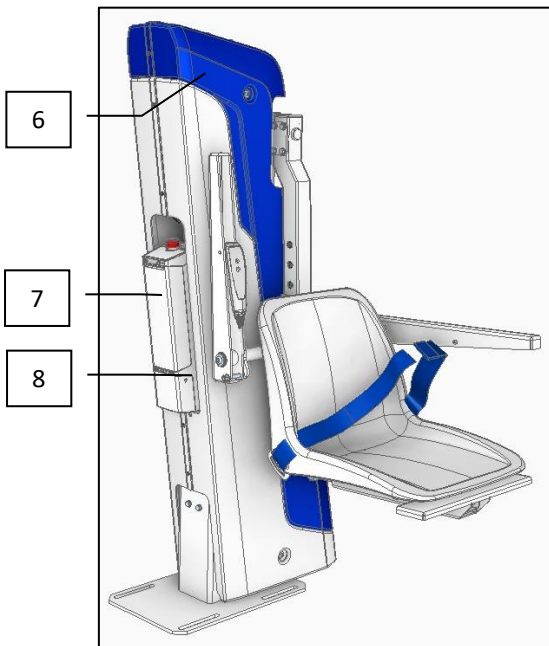


All ordinary and extraordinary maintenance work must be carried out by specialised technical personnel (see chapter 1.4).

## 2.1 DESCRIPTION OF PARTS

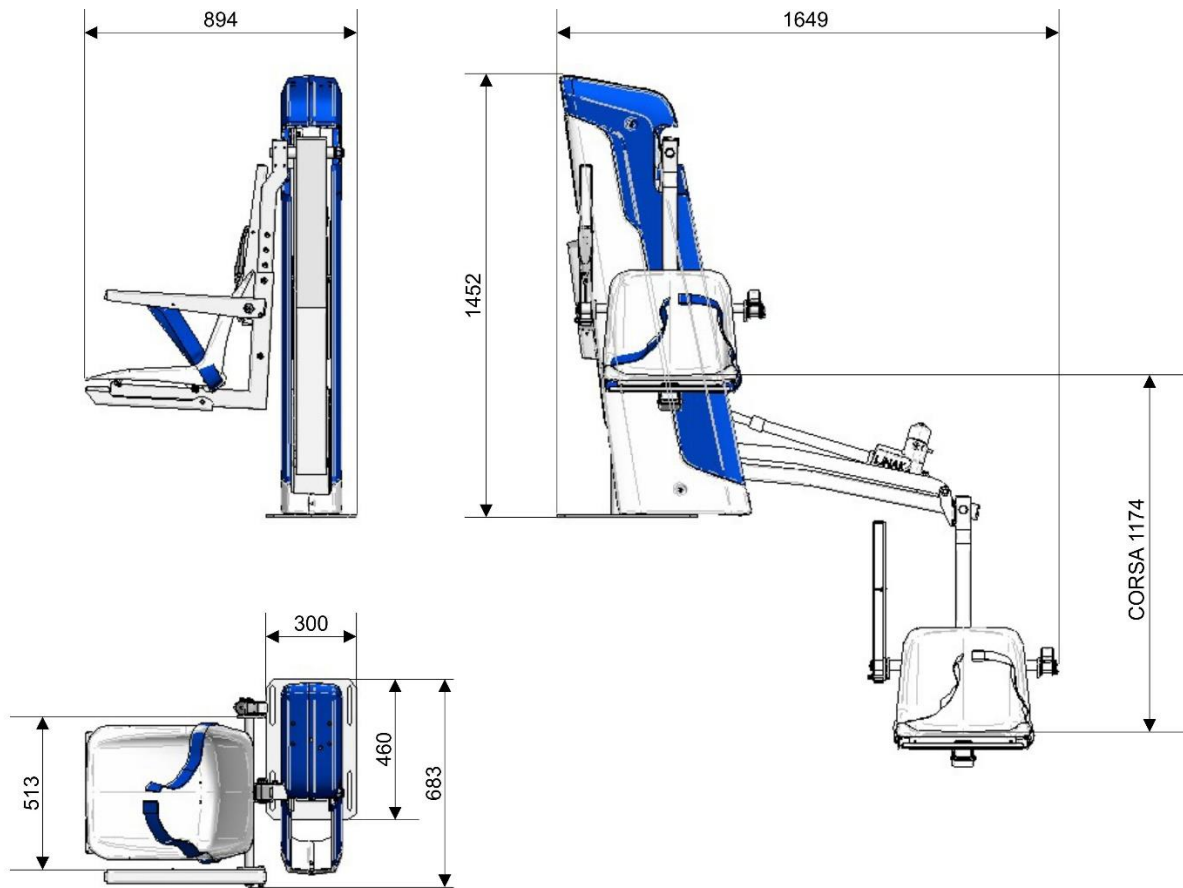


1. Armrest
2. Remote control
3. Seatbelt
4. Seat
5. Removable footrest
6. Protective cover
7. Battery
8. Control unit
9. Upper arm
10. Actuator
11. Lifting arm
12. Fixed column
13. Movable column
14. Fixing jig



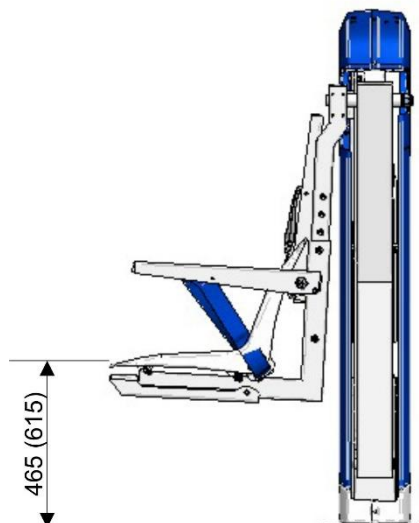


## 2.2 OVERALL DIMENSIONS



### Configurations

The seat can be adjusted vertically up to 150 mm.



## 2.3 TECHNICAL DATA

Construction material	Aluminium / Stainless steel
Casing material	ABS
Supply voltage	24 V d.c.
Battery capacity	2,9 Ah
Battery autonomy	~ 50 lifting cycles
Degree of protection	IP44
Ambient temperature	+5°C ÷ +40°C
Total weight of the lift without load	85 kg
Maximum load	180 kg
Noise	Equivalent continuous sound pressure level <70Db
Actuating force of finger controls	< 5 N
Product life *	15.000 lifting cycles
Dimensions and lifting range	See chapter 2.1



**THE PRODUCT LIFE DOES NOT CORRESPOND TO THE PRODUCT WARRANTY.**



**PRODUCT LIFE MEANS THE AVERAGE LIFESPAN OF THE LIFT USED IN ACCORDANCE WITH THE MANUFACTURER'S INSTRUCTIONS; PRODUCT WARRANTY MEANS CONSUMER PROTECTION IN THE EVENT THAT THE PRODUCT IS DEFECTIVE, MALFUNCTIONS OR FAILS TO FULFIL ITS STATED PURPOSE WITHIN THE LEGALLY DEFINED TIME PERIOD.**



## DESCRIPTION

2

POOL LIFT

DEVICE

i-swim4

MODEL

### 2.4 INTENDED USE

The lift, located at the edge of the pool, must only be used for the positioning of disabled persons inside the pool and for their exit.

The installation of the pool lift must be carried out by an authorised operator.

The lift can be operated independently by the disabled person or by an accompanying person using the remote control.

In both cases, the user is an authorised person, trained and in possession of the knowledge and physical and mental requirements required to carry out descent and ascent operations safely.

### 2.5 UNINTENDED USE

Anything not expressly mentioned in Chapter 3.1 is considered **IMPROPER USE**.

IT IS FORBIDDEN to use the lift to handle objects.

IT IS FORBIDDEN to immerse the lift in water except for the seat and footrest.



**THE MANUFACTURER ACCEPTS NO LIABILITY FOR DAMAGE TO PROPERTY, PERSONS OR THE LIFT ITSELF CAUSED BY USE NOT COVERED IN THESE INSTRUCTIONS.**

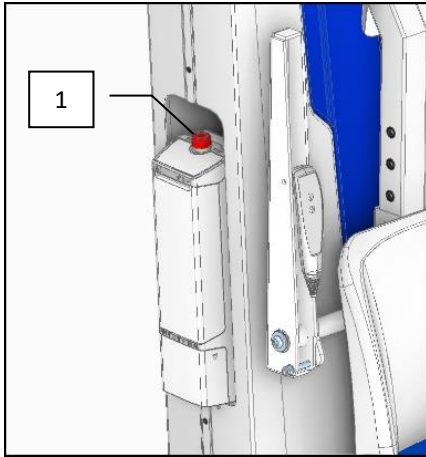
### 2.6 ENVIRONMENTAL CONDITIONS

Temperature \_\_\_\_\_ + 5°C / +40°C

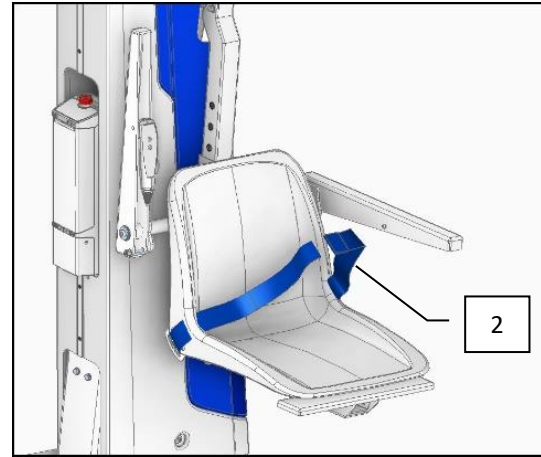
Humidity \_\_\_\_\_ 80% max

## 3.1 SAFETY DEVICES

The following safety devices are fitted to the lift.



1 Emergency stop.



2 Safety belt.



**IT IS FORBIDDEN TO DELETE, REMOVE OR MODIFY EXISTING SECURITY SYSTEMS.**

## 3.2 SIGNALS



**IT IS FORBIDDEN TO ALTER/REMOVE THE APPLIED MARKINGS.**

**3.3 PPE**

Use customised protective equipment to the extent necessary or required by relevant legislation.

Personal protective equipment (PPE) is equipment intended to be worn by workers to protect them from the specific risks of the activity they are carrying out.

P.P.E. must:

- Be strictly individual.
- Be strictly worn.
- Be chosen taking care that they are suitable for preventing the specific risks of the activity that the worker who will be wearing them is carrying out.
- Be comfortable and convenient
- Be kept in good working order and must be replaced when worn or damaged.


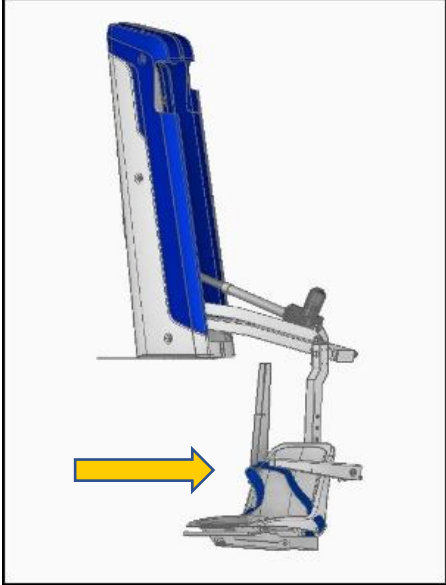

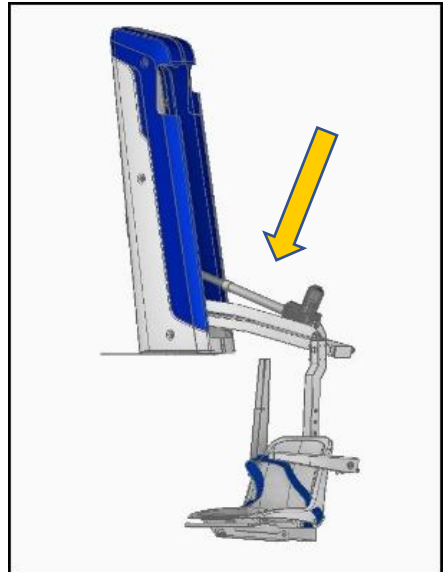
The following P.P.E.'s are provided during installation, maintenance and cleaning:



**ONLY USE I.P.D.'S BEARING THE REQUIRED CE MARKING.**

## 5.1 RESIDUAL RISKS

Despite the fact that the protective measures integrated into the design of the lift, including additional protective measures, have been taken, the following residual risks remain.

	<p>Risk of the user falling: during positioning in the water and lifting, the user must position himself on the seat and secure himself with the appropriate safety belts.</p>	
	<p>It is forbidden to approach moving machine parts during operation.</p> <p>Risk of crushing moving parts.</p>	

## 6.1 RECEPTION AND CONTROL

On receipt of the lift, carry out the following checks:

- Check that the delivery corresponds to the order specifications and the transport document.
- Check that the packaging is intact and that there are no parts damaged or broken during transport.
- Carefully check that the machines have not been damaged during transport or that certain parts have not been removed and/or tampered with.
- Check that the enclosed documentation required for the installation phase is present.



**IN THE EVENT OF NON-COMPLIANCE WITH THESE SPECIFICATIONS, NOTIFY THE MANUFACTURER IMMEDIATELY.**

## 6.2 STORING AND STOWING THE LIFT

If the lift is not in use, the following procedure should be followed:

- Store indoors in an environment protected from the weather.
- All electrical/electronic parts must remain packaged so that they can be protected from moisture.
- The temperature of the storage environment must be between +5°C and +50°C.
- All sliding parts (guides, cylinders, etc.) must be protected against dust and oxidation.
- Storage time should not exceed 6 months. In the case of storage for longer periods, it is advisable to contact the manufacturer before commissioning to check the condition of the lift.

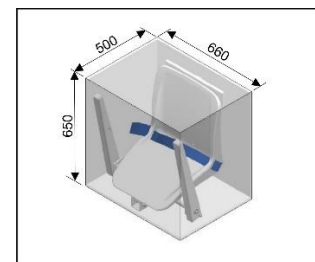
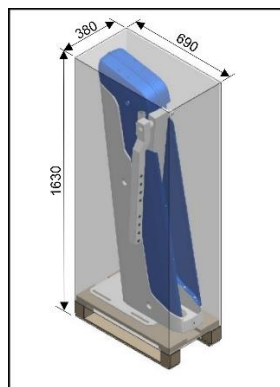


**STORAGE OF THE LIFT IN AN ENVIRONMENT THAT DOES NOT CORRESPOND TO THAT INDICATED WILL INVALIDATE THE WARRANTY FOR PARTS TO BE REPLACED.**

## 6.3 TRANSPORT

The lift must be transported in a vehicle (van, lorry, etc.) of a suitable size and capacity.

The manufacturer ships the lift in a cardboard container placed on a pallet. The seat is shipped in a separate cardboard container.

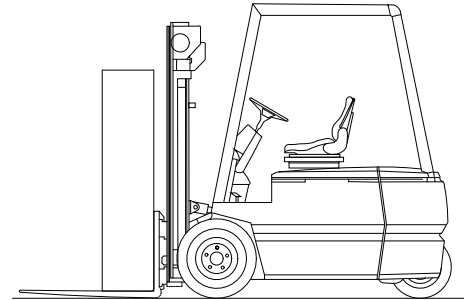




## 6.4 HANDLING

Handling of the packed lift must be done by means of transpallet, forklift, etc.

The equipment used for safe handling must have an adequate load-bearing capacity.



**HANDLING PERSONNEL MUST WEAR SAFETY SHOES.**



**ENSURE THAT NO UNAUTHORISED PERSONS ARE WITHIN RANGE OF THE LIFTING/MOVING MACHINE (TROLLEY, PALLET TRUCK, ETC.) DURING LIFTING, TRANSPORT AND HANDLING OPERATIONS.**

To unpack the lift, it is necessary, for cardboard packaging, to cut with a cutter (blade length max. 1 cm) the 4 sides at the base of the packaging, which must then be lifted up and removed.



**PERSONNEL OPENING THE PACKAGING MUST WEAR: SAFETY SHOES WITH IRON TOE CAPS AND NON-SLIP SOLES AND SUITABLE GLOVES.**

## 6.5 PLACEMENT

The lift is supplied in parts to be assembled according to the following instructions.



Two employees are required for the assembly of the parts.

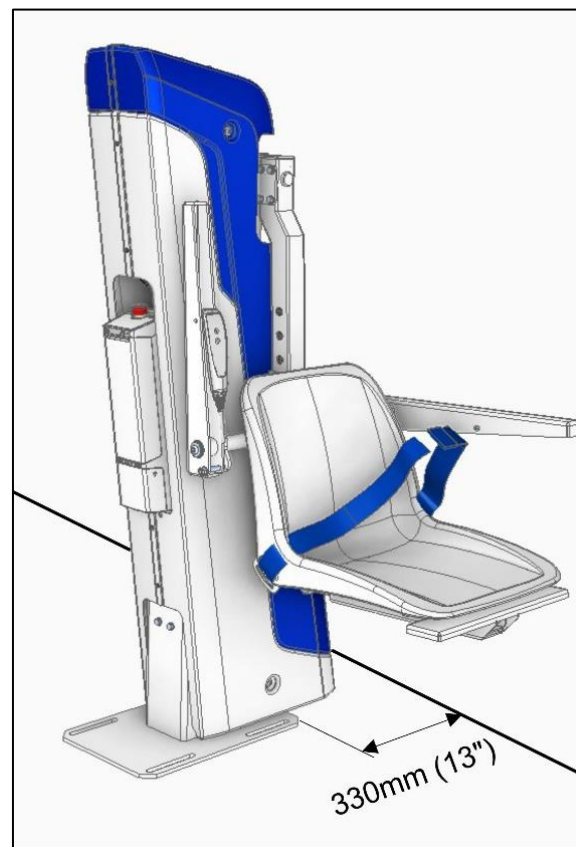


Personnel opening the packaging must wear safety shoes with iron toe cap, non-slip sole, and suitable gloves.



**THE I-SWIM4 FASTENING BUSH IS SUBJECT TO HIGH STRENGTHS AND MUST THEREFORE BE FITTED BY QUALIFIED PERSONNEL. ONCE THE INSTALLATION IS COMPLETE IT MUST BE TESTED WITH THE MAXIMUM LOAD ALLOWED BY THE LIFT.**

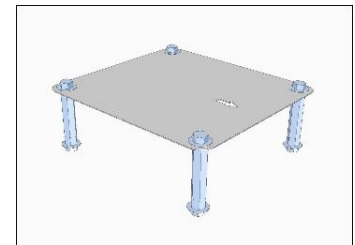
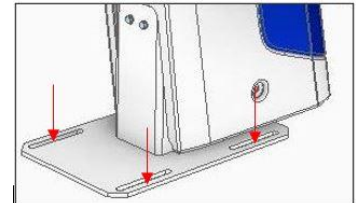
The figure shows the minimum distance at which the lift should be mounted in relation to the pool's edge.



## Drilling and installation of columns

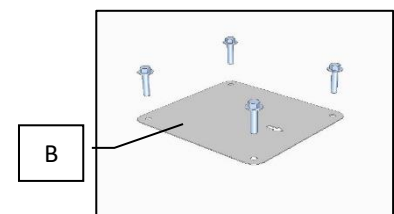
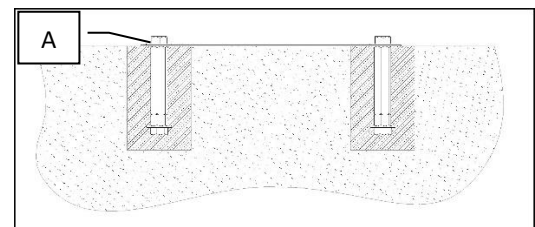
The anchoring system is carried out by means of small columns inserted in the pavement.

- Place the lift at the pool's edge in the established final position.
- Mark the 4 fixing points.
- Move the lift.
- Drill the floor at the 4 points with a Ø50mm cup to a depth of approx. 120mm. Then remove the material by cleaning away any debris.
- Install the 4 posts in the holes using Class 32.5 cement as a minimum. Take care that the template sits flush with the floor and that there is no debris underneath.



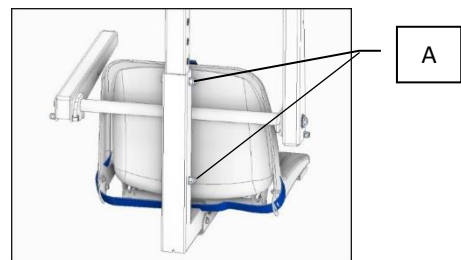
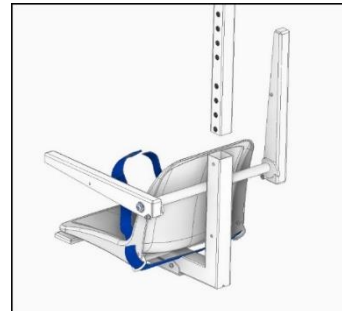
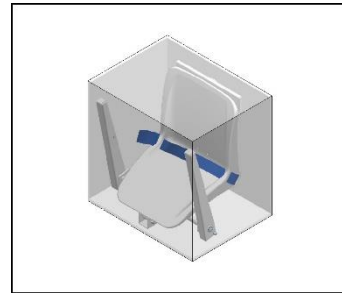
## Installation

- Make sure the cement is dry.
- Unscrew the four screws and washers (A).
- Remove the template (B).
- Position the machine at the four holes.
- Tighten the four screws and washers to 70 Nm.
- Check the stability of the structure.



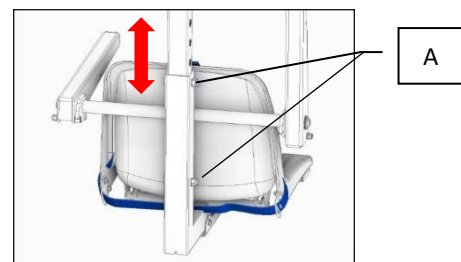
## 6.6 SEAT INSTALLATION

- Remove the seat from its packaging.
- Slide it into the vertical tube.
- Insert and tighten the two screws (A) to 50Nm.



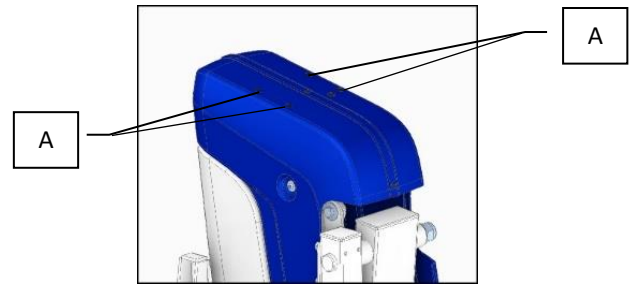
## 6.7 ADJUSTING THE SEAT IN HEIGHT

In order to better adapt the lift to the height of the disabled person, it is possible to adjust the height of the seat. The seat can be repositioned higher or lower by removing the 2 fixing screws (A).

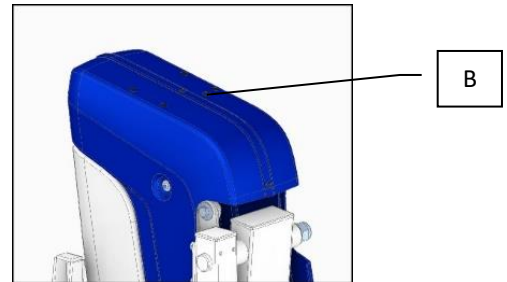


## 6.8 INSTALLATION OF THE PHOTOVOLTAIC PANEL

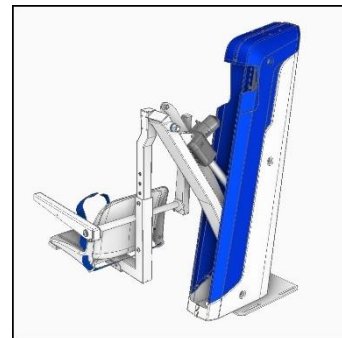
Remove the four upper plastic rivets (A).



Remove the plastic cable grommet rivet (B).



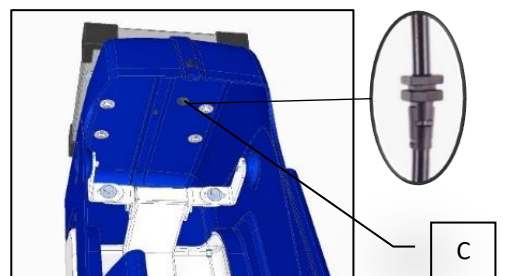
Lower the lift to leave space for internal manoeuvring.



Position the panel with the pre-assembled cable oriented as shown in the figure.



Guide the cable through the hole (C) and insert the cable grommet in the body.

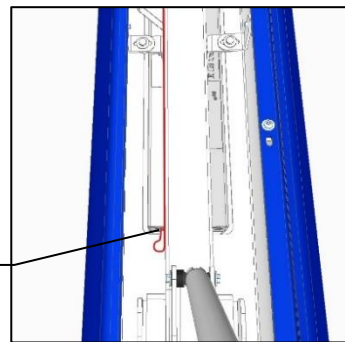


Lower the cable onto the vertical upright as shown in the figure and secure it with self-locking plastic ties.



Remove the plug from the control unit and insert the jack (D).

D

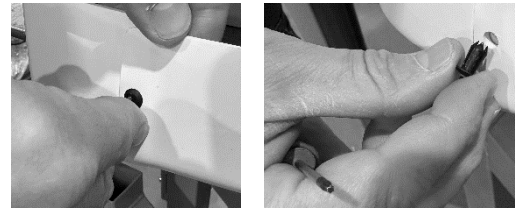
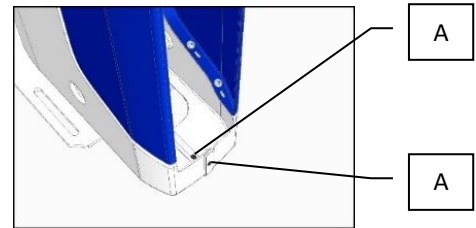


**THE ACCESSORY ACTS AS A CHARGE MAINTAINER. A FULL CHARGE TAKES AT LEAST 25 HOURS.**

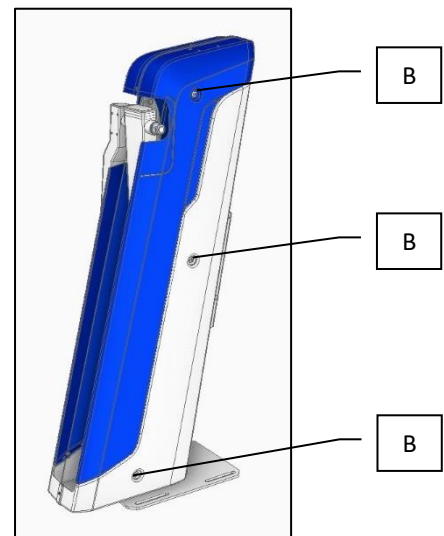
## 6.9 TRANSFORMATION TO THE LEFT VERSION

### 1) Fairing disassembly

Remove the 2 reusable lower front rivets (A) by pushing the centre pin of the rivet with a screwdriver.



Remove the six side screws (3+3) (B).

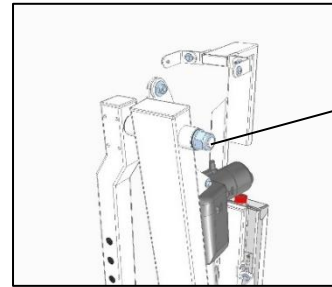


Extend the lower base (red arrows) and slide the entire fairing to the rear (blue arrows).



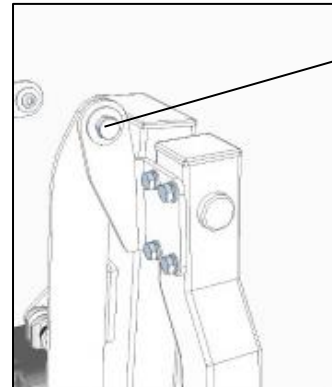
### 2) Replacement and reassembly of joint components

Unscrew nut (A)



A

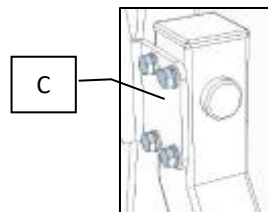
Unscrew screw, spacer, washer and nut (B)



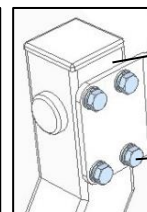
B

Remove connecting bracket (C) and replace with bracket part no. W8040226 (optional) on the opposite side (D).

Tighten the 4 screws (E) to 15 Nm.

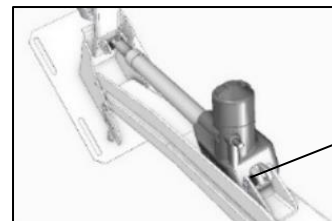


C



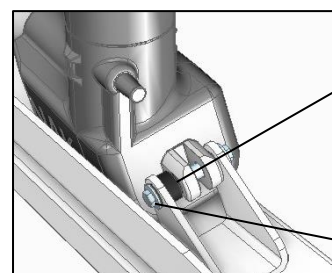
D

E



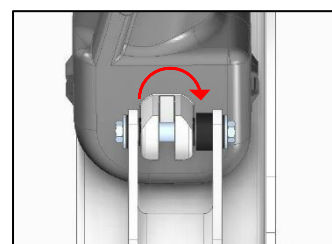
F

Move the plastic spacer (F) by undoing the screw (G) and move it to the other side.



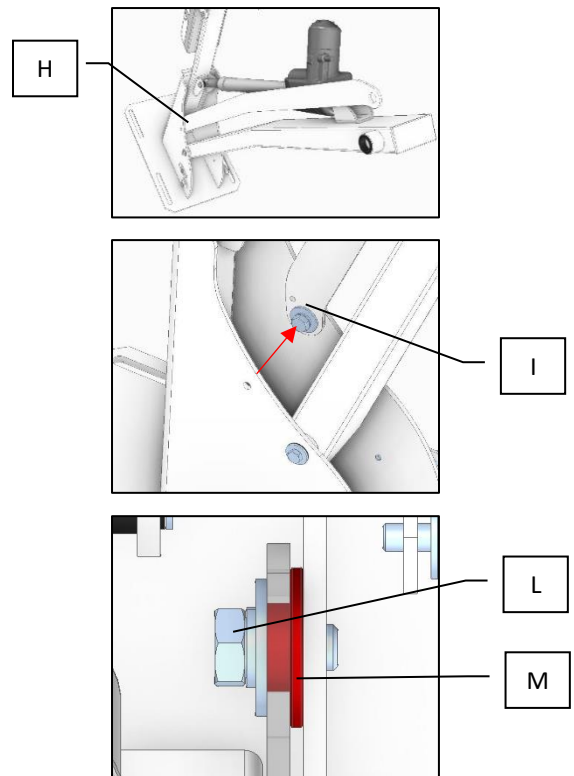
F

G

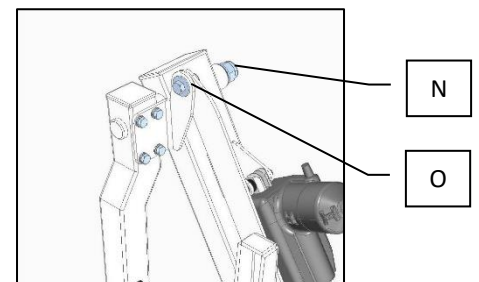




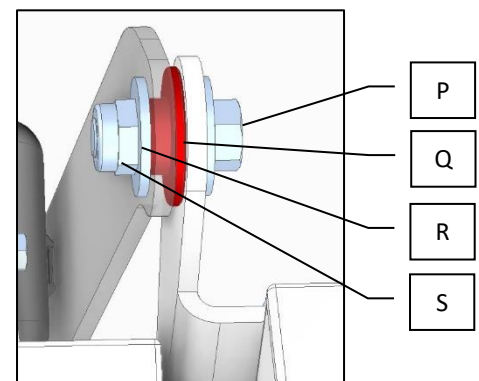
Move the upper arm (H) to the other side of the base (I) and secure it by means of the screw (L) and spacer (M).



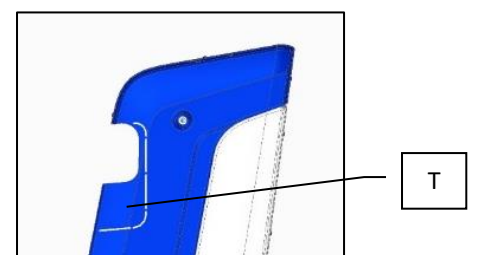
Rotate the column by 180° and tighten the nut (N) until the axial play is zero, leaving the manual movement of the column free.



Secure the upper arm (O) using screw (P), spacer (Q), washer (R) and nut (S).



Trim the fairing part (T) with a cutter or similar.





# INSTALLATION

6

POOL LIFT

DEVICE

i-swim4

MODEL

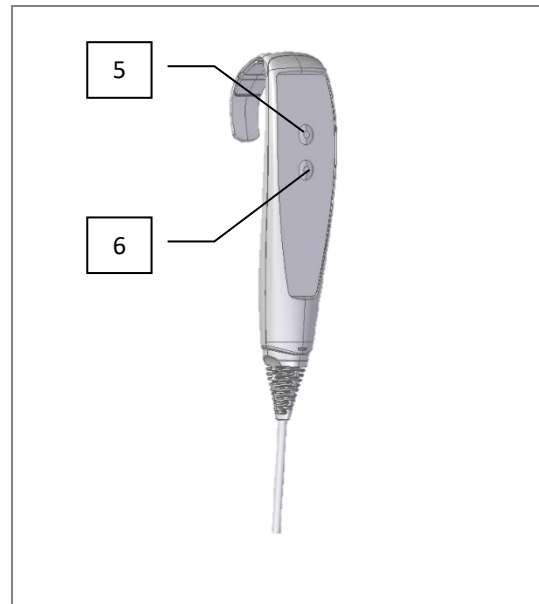
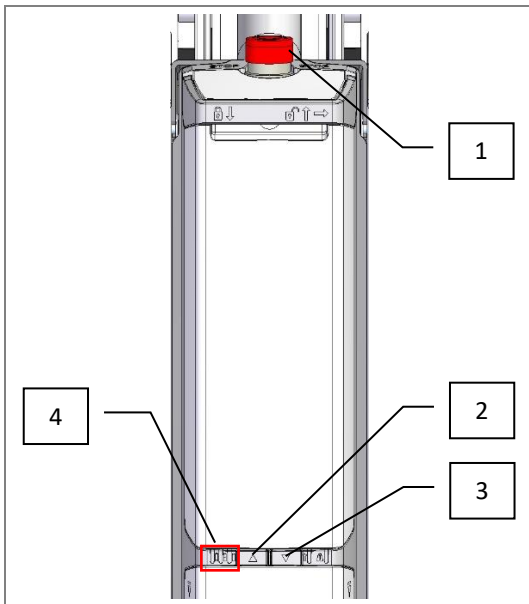
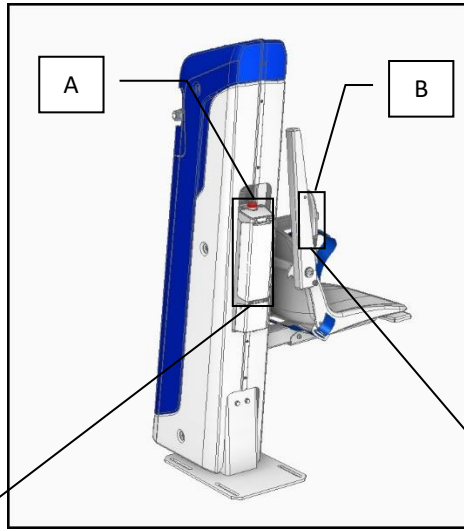


AT THE END OF THE OPERATION, REASSEMBLE THE FAIRING BY PROCEEDING BACKWARDS.

## 7.1 CONTROL PANEL AND REMOTE CONTROL

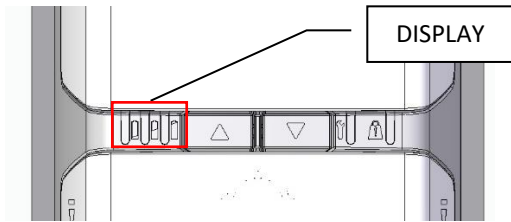
On the machine are present:

- A. **Push-button panel** on the control unit to be used only by an attendant and/or supervisor in emergency situations and for emergency ascent or descent operations only.
- B. **Remote control** for raising/lowering the user's position. The remote control can be used directly by the person positioned on the machine and by an accompanying person, if any.

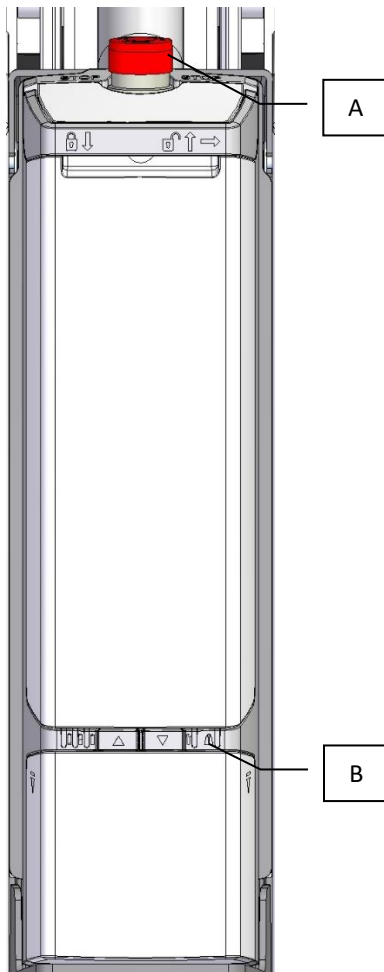


- 1. Emergency button
- 2. Up button (only in case of emergency).
- 3. Down button (only in case of emergency).
- 4. Display

- 5. Ascent button
- 6. Descent button



In normal operation, the display shows the remaining battery charge.



If the emergency button (A) is pressed, the orange STOP LED (B) lights up and the machine stops.



An accompanying person and/or a supervisor may only press the emergency button.

## 7.2 OPERATIONS BEFORE USE



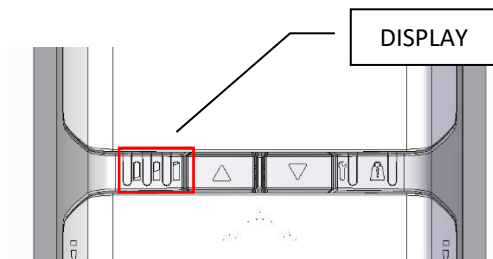
**ALWAYS OBSERVE THE INTERNAL SAFETY PROCEDURES ISSUED BY THE USER ORGANISATION.**



**IN THIS CHAPTER'S DESCRIPTION, NUMERICAL REFERENCES TO DEVICES ARE TO BE FOUND IN CHAPTER 9.1 ABOVE.**

Before using the lift, the person in charge of positioning must check:

1. The state of efficiency of the safety devices described in Chapter 4 of this manual;
2. The battery charge status from the display.



To check the state of charge of the batteries, simply check the illumination of the LEDs on the display.

The third green LED (rightmost one) signifies the maximum battery charge. The second LED signals the intermediate charge and the first (leftmost) the minimum charge.



When the first LED lights up, charge the batteries.

3. The correct functioning of rotation and lifting.

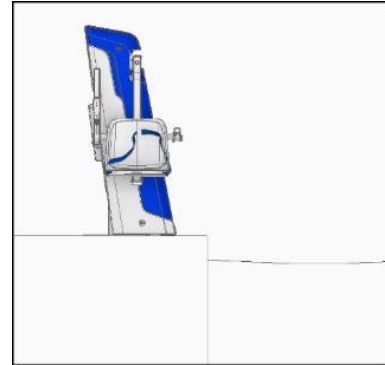
To carry out this check, you must operate the lift, turn it to the right and left, and observe that no blocking, noises or jerks are felt.

## 7.3 DESCRIPTION OF USE



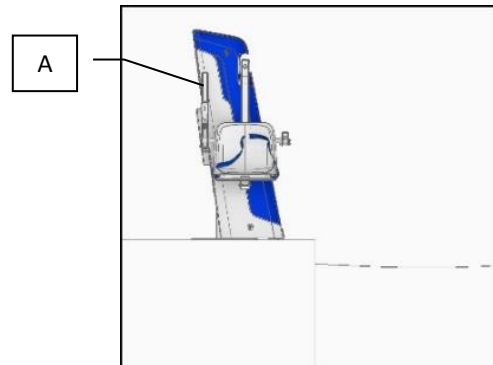
**REFER TO CHAPTER 2.1 OF THIS MANUAL FOR THE NOMENCLATURE OF THE LIFT.**

The user must reach the edge of the pool by means of their wheelchair and position themselves near the lift.



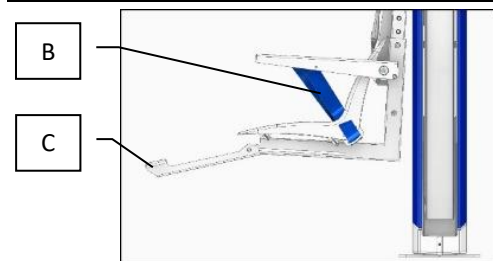
**CHECK FOR THE ABSENCE OF OBSTACLES THAT MAY INTERFERE WITH UPWARD-DOWNWARD MOVEMENTS.**

By lifting the armrest (A), the user can move independently from the wheelchair to the lift seat.



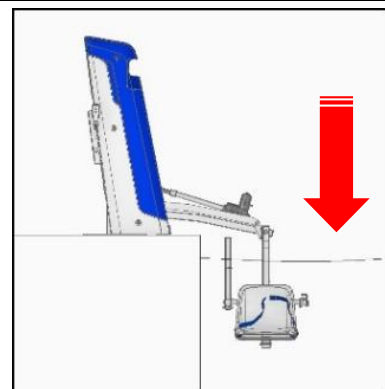
Once positioned, lower the armrest (A) and secure with the seat belt (B), the feet must rest on the footrest (C).

The position must be maintained until the action is completed.



Use the lowering button to lower until submerged in water.

Once the movement is complete, the user can release the safety belt and proceed with the activity in the water.



To ascend from the tank, the user must proceed by reversing the steps described above.



THE SEAT AS SUPPLIED BY AUTOLIFT SRL IS EQUIPPED WITH WATER DRAINAGE HOLES MADE IN SUCH A WAY AS NOT TO IMPAIR ITS ROBUSTNESS.

DO NOT MODIFY IT AND IN CASE OF REPLACEMENT REQUEST IT FROM AUTOLIFT SRL.



DURING THE ASCENT/DESCENT PHASES, THE USER MUST VERIFY THE ABSENCE OF THIRD PARTIES IN THE VICINITY OF THE MACHINE.

ANY SUPERVISORS MUST KEEP A SAFE DISTANCE TO AVOID COLLISIONS AND CRUSHING.



IN THE EVENT OF USE OF THE REMOTE CONTROL BY A SUPERVISOR, THE SUPERVISOR MUST CHECK THAT THE USER IS NOT EXPOSED TO THE RISK OF FALLING OR BEING CRUSHED.



IN THE EVENT OF BLOCKAGE OF THE LIFT, MALFUNCTIONS OR EMISSION OF ABNORMAL NOISE, FUMES AND ODOURS, STOP THE MACHINE AND ACTIVATE THE MAINTENANCE SERVICE.

IN CASE OF NEED, CONTACT THE MANUFACTURER'S SERVICE DEPARTMENT AUTOLIFT SRL.

## 8.1 CLEANING

The lift must be cleaned manually with a cloth moistened with non-aggressive detergent (e.g. HACCP multi-purpose environmental cleaner Amuchina) and then rinsed with a cloth moistened with water.



**DO NOT USE AGGRESSIVE CLEANING AGENTS  
DO NOT USE WATER JETS OR STEAM CLEANERS**



**BEFORE CARRYING OUT ANY CLEANING OPERATION, STOP THE  
MACHINE**



**USE THE APPROPRIATE PROTECTIVE EQUIPMENT WHEN CLEANING**



## 9.1 MAINTENANCE



ALL ORDINARY AND EXTRAORDINARY MAINTENANCE WORK MUST BE CARRIED OUT BY SPECIALISED TECHNICAL PERSONNEL (SEE CHAPTER 1.4).



BEFORE CARRYING OUT ANY WORK ON ELECTRICAL PARTS AND ELECTRICALLY DRIVEN MOVING PARTS, THE BATTERY MUST BE REMOVED FROM THE CONTROL UNIT.



Personnel authorised to carry out maintenance work must wear non-slip, accident-preventing gloves and footwear.

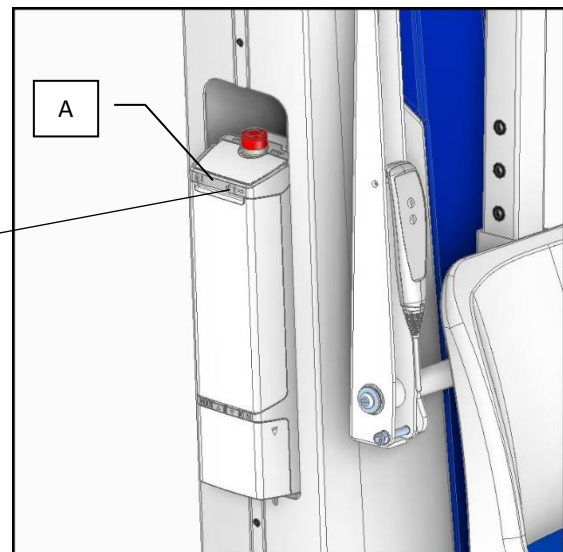
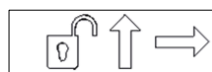
## 9.2 BATTERY CHARGING

Battery charging must occur in a suitable room with effective ventilation to ensure the evacuation of possible hydrogen build-up and thus leakage.



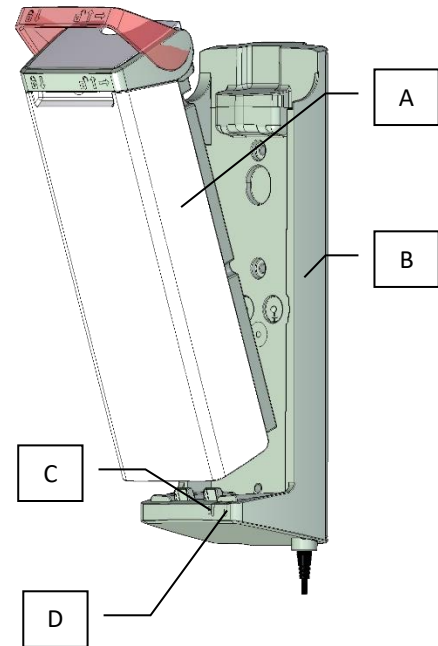
THE CARE AND RESPONSIBILITY FOR LOCATING THE BATTERY CHARGING ROOM LIES WITH THE USER.

Remove the battery from the lift by turning the handle (A).



Place the battery (A) vertically on the wall bracket (B).

- Green light (C) indicates that the charger is correctly connected to the power supply (100-240 V AC).
- Orange light (D) indicates that the battery is being charged. When the battery is fully charged, the light turns green.



**USE ONLY THE CHARGER SUPPLIED WITH THE LIFT.**

## 9.3 PERIODIC INSPECTION



**PERIODIC INSPECTION MUST ONLY BE CARRIED OUT BY QUALIFIED PERSONNEL ONLY.**

Periodic inspection of the lift by a suitably qualified technician must be carried out every six months.

The inspections consist of a visual examination to check:

1. Load-bearing structure;
2. Lifting mechanism with its attachments;
3. Controls, emergency stop button;
4. Safety devices;
5. Personal support devices (seat belt).

The inspections also include:

6. Functional tests;
7. Maintenance;
8. The adjustments;
9. Each periodic inspection must include a working load test of one (1) lifting cycle with the maximum (simulated) load.

Every observation for the safety of the lift must be noted on a logbook (see attached facsimile) which the user must keep safe for examination in the event of an accident.

The inspection record must also contain the following information:

- The date of the inspection;
- The identification details and serial number of the unit;
- The date of the next inspection;
- The identification and signature of the person responsible for the inspection.

If the periodic inspection detects any defect, signs of wear and tear or other damage that endangers the safety of the lift. In the event of an immediate safety hazard, the user must take the lift out of service until the fault is rectified.



**DEFECTS OR DAMAGE MUST BE REPORTED TO THE MANUFACTURER AUTOLIFT SRL FOR APPROPRIATE ACTION.**

## 10.1 DEMOLITION AND DISPOSAL



If the machine is decommissioned, the procedures laid down in current legislation must be followed.

In general, it is necessary to disassemble to obtain several groups of homogeneous materials.

Special materials such as lubricating oils, electrical/electronic components must be disposed of according to the precise regulations in force.



## SPARE PARTS

11

**POOL LIFT**

*DEVICE*

**i-swim4**

*MODEL*

### 11.1 SPARE PARTS



FOR SPARE PARTS CONTACT AUTOLIFT SRL DIRECTLY.



## 12.1 SPARE PARTS

- EC Declaration of Conformity
- Spare Parts Request Form.
- Register of Periodic Inspections.



