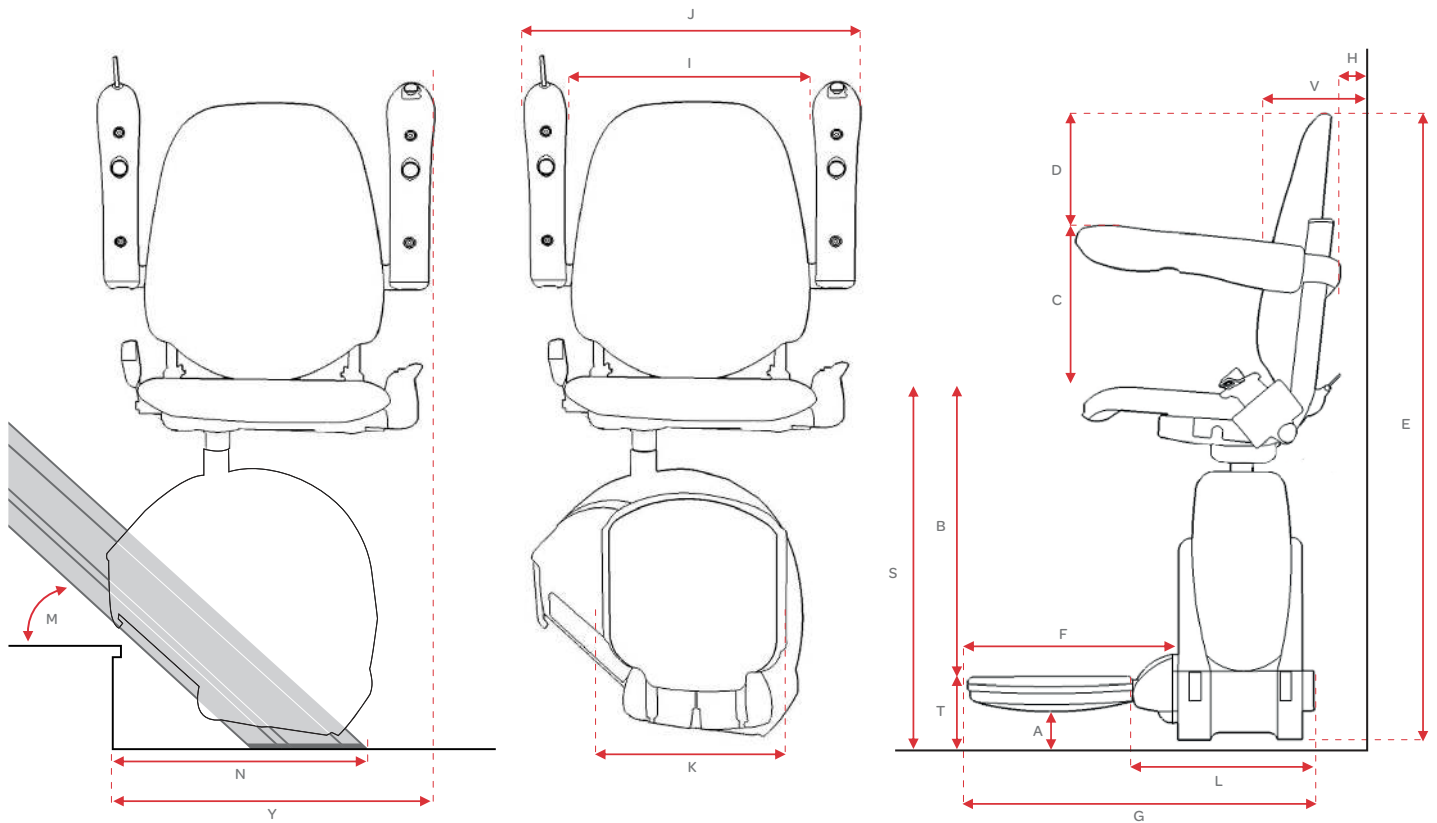


Otolift Line Datasheet



	Stair Angle (deg)	A (mm)	B (mm)
	25	565	0
	28	575	0
	30	585	0
	32	590	0
	34	600	0
	36	610	0
	38	615	5
	40	625	35
	42	630	65
	44	640	95
	46	650	125
	48	660	155
	50	670	185
	52	675	215

This datasheet is intended to be used for reference only. All dimensions shown from the wall will be affected by any additional obstructions and are subject to a full site survey. Measurements are in millimetres. No rights can be obtained from this datasheet.

A	Floor to bottom of footrest	65	K	Width of footrest	310
B	Top of footrest to top of seat *	500-580	L	Folded footrest width	310
C	Top of seat to top of arms	230	M	Climbing Angle	25-52°
D	Top of arms to top of seat back	250	N	Front of rail to first step (47° start)	370
E	Overall height * (@43) from floor	1100-1180	Q	Minimum swivel radius from wall	665-720
	Overall Height (@43) from drive to folded Arms (inc. control).	1175-1255	S	Seat to floor *	620-700
F	Length of footrest	370	T	Top of the footrest to floor	120
G	Front of footrest to back of leg	610	V	Back of chair (inside) to wall	110(MAN)120(PS)
H	Back of seat to wall (minimum)	40(MAN)50(PS)	Y	Armrest to 1st riser (47° start)	1st Nose to outside arm 550 1st Nose to PS cover 560
I	Width between armrests	430			
J	Overall width	580			

* Depending on seat height set

When a foldable rail is used, all dimensions stay unchanged